



LANCER EX



Future history

Mitsubishi Lancer first hit the streets in 1973 and has never looked back. Over the past four decades, Lancer has evolved into a sports machine like no other, turning heads on city streets and rally courses alike. After nine generations of development, Mitsubishi's passion for driving has created a blend of power, performance and aerodynamics that will have sports driving connoisseurs instantly hooked, all combined with a style that is undeniably Lancer.



 www.facebook.com/MitsubishiMotors.en  www.youtube.com/user/MitsubishiMotorsAd

 **MITSUBISHI MOTORS**
www.mitsubishi-motors.com



The paper used in this catalogue has been certified by the FSC™ (Forest Stewardship Council™) as having been produced through a 'chain of custody' system of forestry management, tracking and production oversight that ensures responsible consideration for the earth's ecosystem. Mitsubishi Motors has adopted the combined use of FSC-certified paper and recycled paper in our efforts to reduce CO₂ emissions and promote more efficient use of natural resources. In this way, we hope to contribute to greater protection of the environment.

©2016 – 2017 Mitsubishi Motors Corporation. All rights reserved.
Ge/EXE17C285Feb.17T Printed in Japan

www.new-lancer.com

A Sports Sedan Like No Other

Mitsubishi's new Lancer EX is more than just a sedan. From outstanding performance and rugged styling to a smooth ride and unparalleled comfort, every detail of this active sports sedan was designed to put a smile on your face, a thrill in your heart, and sheer driving pleasure in your hands. All you have to do is sit back and enjoy the ride.



2.0-liter GT Package / Sterling Silver Metallic [U25]
Equipment may vary according to market.



2.0-liter GT Package / Black seats
Equipment may vary according to market.

The best seat in the house

It's a shame, really. Something so beautifully designed that you'll hardly ever need to look at it. The cockpit of the new Lancer EX has been ergonomically laid out to put every control exactly where intuition tells you it should be. Paddle shifters and audio controls have also been added to the steering wheel, giving you the control you want without ever needing to take your eyes off the road ahead.



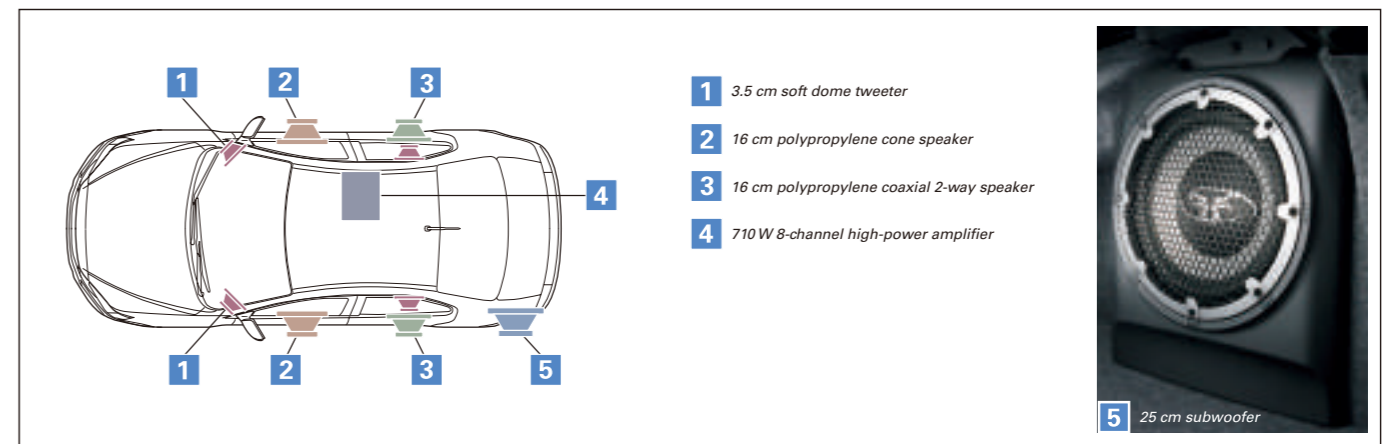
Black mesh print panels (instrument panel and front door trims)



2.0-liter GT Package / Black seats
Equipment may vary according to market.

The inside story

After the racing-inspired passion of Lancer EX's exterior design, what awaits you on the inside may come as a surprise. Serene and inviting, Lancer EX provides an environment free from the distractions of the outside world. Insulated doors keep out unwanted noise, while the automatic climate control and spacious seating make Lancer EX a pleasure to drive before you've even started on your way.



Rockford Fosgate® Premium Sound System

Excitement now has a soundtrack. This high-quality sound system includes a 710 W amp with DSP (Digital Signal Processor) plus a precision 9-speaker array with subwoofer. Balanced exactly to Lancer EX's interior acoustics, they turn the driver's seat into your personal concert hall.

Note: Rockford Fosgate® and associated logos are registered trademarks of Rockford Corporation in the United States and other countries.

9-Speaker System

The Rockford Fosgate® speakers and powerful trunk-mounted subwoofer deliver all the impact and sound reproduction of a quality home system, for full audio enjoyment every time you go for a drive. Output settings allow you to balance the output for rear passengers, front passenger, or when you have Lancer EX all to yourself.

A handy USB port allow you to connect your portable media player and enjoy your full music library in premium quality.



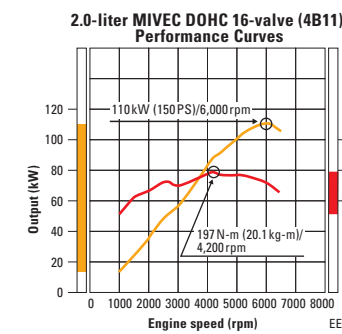
2.0-liter GLS / Sterling Silver Metallic [U25]
Equipment may vary according to market.

Engine and transmission



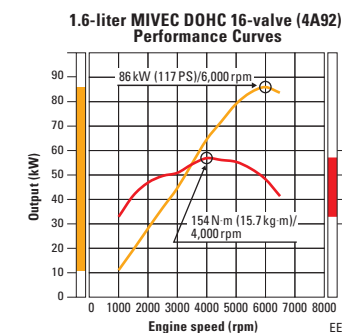
Sports Mode with Magnesium Paddle Shifters

Available on CVT models, Sports Mode lets you enjoy the racing feel of changing gears with a 6-step shift control that still provides the convenience of an automatic transmission. For even greater control, paddle shifters built directly into the steering wheel make shifting as easy as a single press of your finger.



2.0-liter MIVEC Engine

Absolute thrill in a 4-cylinder package. Lancer EX's 2.0-liter powerhouse uses a lightweight aluminum block for optimum performance as it puts out 110 kW (150 PS) to take control of city streets and open highways alike. MIVEC technology provides optimal valve timing at both low and high rev ranges, to give you the most of every curve and straightaway out there.



1.6-liter MIVEC Engine

The 1.6-liter engine is a concentrated rush of excitement, laying down enough power for sporty performance wherever there's pavement to be found. Like its bigger cousin, this engine also features an aluminum block for better efficiency and MIVEC technology for more aggressive starts and maximum high-range output.

CVT with INVECS-III (for 2.0-liter models)

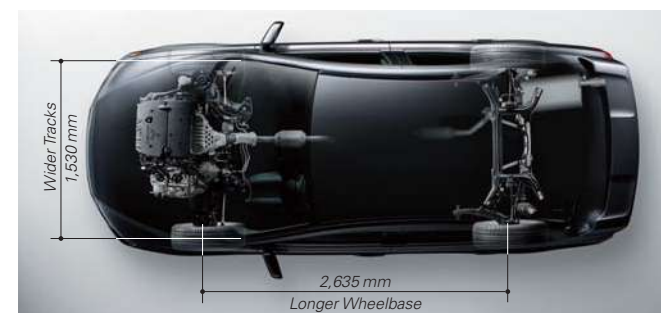
With CVT (Continuously Variable Transmission), Lancer EX offers a new level of driving enjoyment: an automatic transmission that's quiet, efficient, and eliminates the harshness and power lag of traditional gear changes.

MIVEC Technology

MIVEC (Mitsubishi Innovative Valve timing Electronic Control) is an exclusive technology that adjusts intake timing for optimal performance across the rev range. At low ranges, MIVEC provides on-demand acceleration for quicker starts, while higher ranges receive an impressive boost of power.

Balance and control

Power without stability will get you nowhere fast. Lancer has long been known for pushing the envelope in providing drivers with unparalleled driving control, so as exceptional as the Lancer EX is, its advanced handling and stability should come as no surprise. Incorporating the lessons of the racetrack and the rally course, Lancer EX fuses quick-responding suspension with flex-resisting body construction for high performance driving that's sure and confident.



End-to-end Design Stability

Every piece of Lancer EX's body and frame has been designed with greater stability in mind. With a longer wheelbase and wider tracks than previous models, the new Lancer EX's larger footprint means greater stability, especially when cornering.



4-Wheel Independent Suspension

Incorporating front MacPherson struts and a rear multi-link system, Lancer EX makes sure work of unpredictable conditions. Responding exactly as needed, the independent suspension keeps all four wheels firmly on the ground for performance that's as reliable as it is comfortable.

Performance

However you choose to drive, the pure excitement of the rally courses that gave birth to Lancer EX is unmistakable. It's in the hum of power rising from beneath the hood, and the exquisite smoothness of the CVT as it shifts up and down. Once Lancer EX has spoken to you, you'll understand.

Safety and reliability

The unexpected. You can't predict it, but you can be prepared for it. Because surprises can come in any form, Lancer EX includes an array of active and passive safety features to protect all occupants from harm. Powerful anti-lock brakes and brake-force distribution enable drivers to avoid hazards in the road, while the RISE body works to absorb collision damage and direct it away from the interior.



Note: Equipment may vary from the image shown.

7-Airbag System

To help keep occupants in every seat safe in the event of a collision, Lancer EX is available with a new 7-airbag system to provide increased safety from all sides. Curtain airbags extending along both sides reduce damage to front and 2nd-row occupants in a side collision, while the 1st-row occupants also have front and side airbags. For further safety, a driver's knee airbag helps reduce damage to the legs in a forward collision.

Note: Airbags are part of a Supplemental Restraint System (SRS). To decrease the risk of injury from a deploying airbag, always wear your seat belt, sit upright in the middle of the seat and do not lean against the door. Always place children 12 and under in the rear seat and use appropriate child restraints. Never place a rear-facing infant restraint in the front seat. Please see the owner's manual and the instructions provided with your child restraint for additional information.

ABS with EBD

When a sudden surprise is dropped in your path, Lancer EX's ABS (Anti-lock Braking System) gives you the ability to maneuver safely around obstacles as you slow down. The EBD (Electronic Brake-force Distribution) assists by applying additional force to the rear brakes as needed, enabling quicker stops even when carrying passengers.

Note: ABS can help a driver prevent unsafe situations while braking, but is never a substitute for safe driving. ABS does not always reduce stopping distances. Stopping distance can be influenced by many factors including road surface conditions and friction between the tires and the road surface.

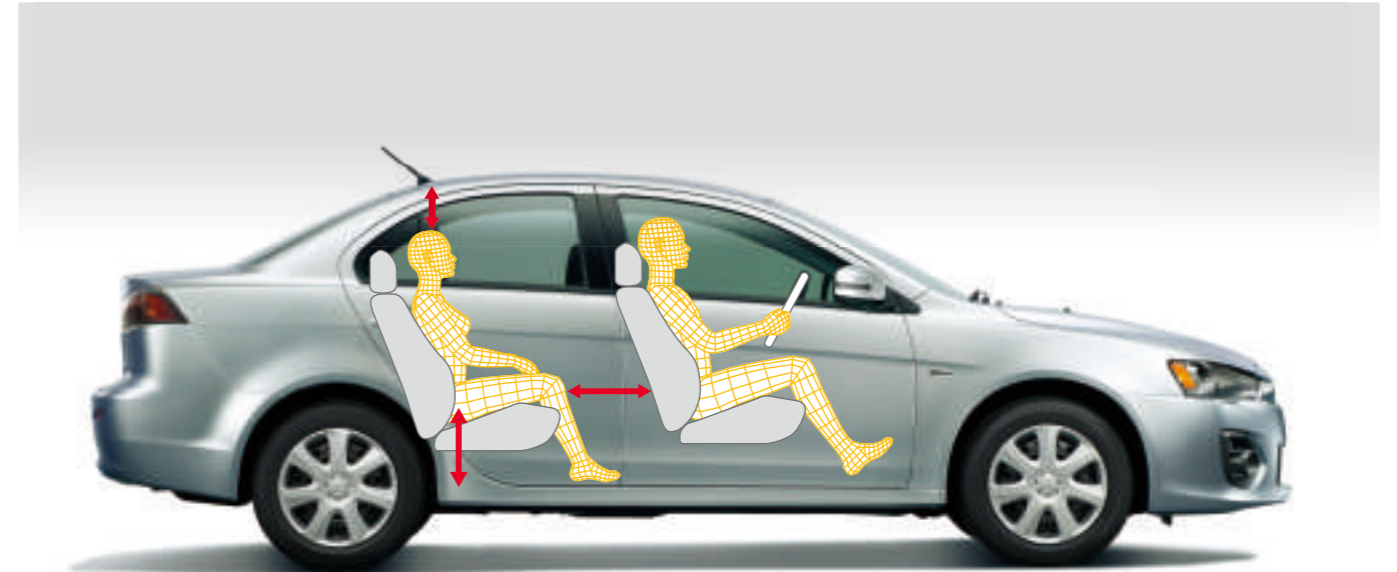
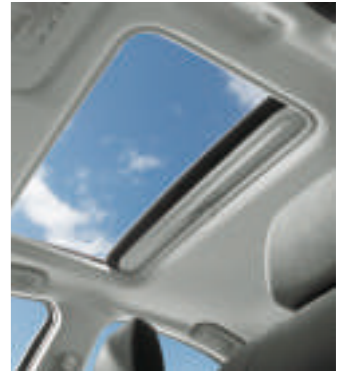


RISE Body

Lancer EX's safety-consciousness starts at the very beginning, with the construction of the RISE (Reinforced Impact Safety Evolution) body. This design protects occupants by employing extensive front and rear crumple zones to absorb impact energy before it can be transferred to the cabin. The cabin and doors, meanwhile, have been constructed with a highly rigid frame and reinforced beams to redirect energy and damage around and away from the occupants.

Comfort and utility

Performance never fails to impress, but don't forget you're still human. A comfortable interior appointed with amenities throughout take an exciting ride and make it even more enjoyable for everyone on board. Lancer EX also provides you with a spacious and convenient cargo area and other practical features. You have a life, after all.



Comfortable Seating

Lancer EX's larger body allows for a roomier interior, especially for rear passengers, who will enjoy the increased leg and headroom, and the higher hip point. This gives everyone more room to stretch out and enjoy the ride. Front occupants are also sure to appreciate the sport seats with lumbar support, available on GT models.



Cargo Space

The new Lancer EX features a large and convenient trunk space, providing up to 400* liters of storage capacity. The lid has been redesigned with hinges to the sides to provide more efficient use of space and avoid hitting your cargo. For added convenience, stored items may be accessed from the interior via the 60:40 split folding rear seatbacks.

*With the optional trunk floor box, the total trunk space is 315 liters.



Fully Automatic Air Conditioner

For the comfort of you and your passengers, Lancer EX features a fully automatic climate control system for front and rear seats.



GLX

ENGINE / TRANSMISSION

- 1.6-liter MIVEC engine 5-speed manual/ INVECS-II 4-speed automatic

EXTERIOR

- Front grill with upper chrome/ lower material black
- 16-inch full wheel covers
- Color-keyed outer door handles
- Black door sashes
- Power door mirrors

INTERIOR

- Bench seat
- Plain knit seats
- Black panels
- 3-spoke urethane steering wheel
- Chrome air outlet knobs
- Manually controlled air conditioner with air filter
- Driver's and front passenger's front SRS airbags (dual-stage)
- AM/FM radio, CD player with center display
- 4 speakers
- Central door locking system
- USB port



Black plain knit seats with black panels



GLS

ENGINE / TRANSMISSION

- 2.0-liter MIVEC engine 5-speed manual/ INVECS-III CVT with 6-step Sports Mode
- 1.6-liter MIVEC engine 5-speed manual/ INVECS-II 4-speed automatic

EXTERIOR (in addition to GLX)

- Color-keyed power door mirrors with side turn lamp (2.0-liter models only)

INTERIOR (in addition to GLX)

- 60:40 split seatback with trunk-through
- Geometric pattern fabric seats
- Black mesh print panels
- 3-spoke leather-wrapped steering wheel
- Leather-wrapped gearshift knob
- Chrome inner door handles
- Floor console box with cloth covered lid
- Fully automatic air conditioner with air filter
- 6 speakers (4 speakers and 2 tweeters) (2.0-liter model)



Black geometric pattern fabric seats with black mesh print panels (2.0-liter model shown)

Note: Some of the equipment may vary in appearance or availability according to market. Please consult your local Mitsubishi dealer/distributor for more detailed information.



GT

ENGINE / TRANSMISSION

- 2.0-liter MIVEC engine 5-speed manual/ INVECS-III CVT with 6-step Sports Mode

EXTERIOR (in addition to GLS)

- 18-inch light alloy wheels
- Front fog lamps
- Side airdams
- Rear spoiler
- Chrome exhaust finisher

INTERIOR (in addition to GLS)

- Magnesium paddle shifters (CVT models only)

Black geometric pattern fabric seats with black mesh print panels

STANDARD AND OPTIONAL EQUIPMENT

Model	Price class	Engine	Transmission	GLS		GT	
				1.6L	2.0L	1.6L	2.0L
				5MT 4AT	5MT CVT	5MT 4AT	5MT CVT
Performance	Engines	2.0-liter 16-valve DOHC MIVEC ECI-MULTI engine (4B11) 1.6-liter 16-valve DOHC MIVEC ECI-MULTI engine (4A92)		■	■	■	■
	Transmissions	5-speed manual transmission (SMT models only) INVECS-II 4-speed automatic transmission (4AT models only) INVECS-III CVT (Continuously Variable Transmission) with 6-step Sports Mode (CVT models only) Magnesium paddle shifters (CVT models only)		■	■	■	■
	Tires and wheels	215/45R18 tires with 18-inch light alloy wheels	☐ 01	■	■	■	■
		205/60R16 tires with 16-inch full wheel covers	☐ 02	■	■	■	■
205/60R16 tires with 16-inch machined bright light alloy wheels 205/60R16 tires with 16-inch light alloy wheels		☐ 03	■	■	■	■	
Safety	ABS (Anti-lock Braking System) with EBD (Electronic Brake-force Distribution) and brake-assist	■	■	■	■	■	
	SRS airbags	Driver's and front passenger's front SRS airbag (dual-stage) / 3-spoke steering wheel Driver's knee SRS airbag	☐ 04	■	■	■	
	Seatbelts	Front seat side and curtain SRS airbags / Retractable assist grip x 4	☐ 04	■	■	■	■
		Front 3-point ELR seatbelt x 2	■	■	■	■	
		Front seatbelt pretensioners and force-limiters	■	■	■	■	
		Height-adjustable front seatbelt anchors	■	■	■	■	
	Rear 3-point ELR seatbelt x 2 and 2-point center lapbelt x 1	■	■	■	■		
	Rear 3-point ELR seatbelt x 3	☐	■	■	■		
	Front and rear side door impact bars	■	■	■	■		
	Child-protection rear door locks	■	■	■	■		
	High-mount stop lamp	■	■	■	■		
	Shift lock with key interlock (AT/CVT models only)	■	■	■	■		
	Starter interlock (MT models only)	■	■	■	■		
	Engine immobilizer	■	■	■	■		
Theft protection device	■	■	■	■			
Exterior	Front grill	Upper chrome / Lower material black Lower chrome	☐ 05	■	■	■	
	Headlamps	Halogen headlamps with auto-off system	■	■	■	■	
		AFS (Adaptive Front-lighting System) with HID (High Intensity Discharge) headlamps / Manual headlamp leveling device Auto lighting control	☐ 06	■	■	■	
	LED daytime running lamp	■	■	■	■		
	Front fog lamps	■	■	■	■		
	Side airdams	■	■	■	■		
	Rear spoiler	■	■	■	■		
	Windows	Laminated green windshield glass / Tempered green front and rear door glass and rear window glass / Rear window defogger	■	■	■	■	
		Ultra violet ray-absorbing front door glass Privacy glass (rear doors and rear window)	☐ 08	■	■	■	
	Variable intermittent windshield wipers and intelligent washers	■	■	■	■		
	Auto rain-sensing variable intermittent windshield wipers	■	■	■	■		
	Chrome outer door handles	■	■	■	■		
	Color-keyed outer door handles / Black door sashes	■	■	■	■		
Color-keyed power door mirrors with side turn lamp	■	■	■	■			
Color-keyed power door mirrors with folding function	■	■	■	■			
Black power door mirrors	■	■	■	■			
Chrome belt-line moldings	☐ 09	■	■	■			
Color-keyed side protector moldings	☐ 10	■	■	■			
Front mudguards	■	■	■	■			
Rear mudguards	☐ 11	■	■	■			
Chrome exhaust finisher	☐ 11	■	■	■			
Cockpit	3-spoke leather-wrapped steering wheel with audio controls / Leather-wrapped gearshift knob	☐ 13	■	■	■		
	3-spoke leather-wrapped steering wheel / Leather-wrapped gearshift knob	☐ 13	■	■	■		
	Power steering / Tilt-adjustable steering column	■	■	■	■		
	Cruise control	■	■	■	■		
	Back-lit meters and gauges with tachometer, multi-information display and rheostat	■	■	■	■		
	High-contrast back-lit meters and gauges with tachometer, large color liquid crystal multi-information display and rheostat Illuminated ignition key cylinder (not available with keyless operation system)	☐ 15	■	■	■		
Aluminum pedals	☐ 16	■	■	■			
Seats	Front seats	Manual sliding and reclining adjusters / Driver's seat manual height adjuster Height-adjustable headrest x 2 / Seatback pocket (front driver's side for LHD models and front passenger's side for RHD models)	■	■	■	■	
	Rear seats	60:40 split seatback with trunk-through / Center armrest with cup holders / Height-adjustable headrest x 2 Bench seat Height-adjustable headrest x 3	■	■	■	■	
			■	■	■	■	
Interior	Black mesh print panels (instrument panel and front door trims)	■	■	■	■		
	Black panels (instrument panel and front door trims)	■	■	■	■		
	Front door trim with synthetic leather insert and stitch	■	■	■	■		
	Parcel box with lid on instrument panel / Glove box	■	■	■	■		
	Front cup holders on floor console	■	■	■	■		
	Floor console box with cloth covered lid	■	■	■	■		
	Front door pockets with bottle holders / Rear door pockets	■	■	■	■		
	Cigarette lighter / Front ashtray (CAN type)	■	■	■	■		
	Fuel lid opener / Trunk lid opener	■	■	■	■		
	Vanity mirror with lid and ticket holder for sunvisors	■	■	■	■		
	Cabin lamps	Front room lamp with map lamps Rear room lamp (not available with sunroof)	■	■	■	■	
	Day-and-night rearview mirror	■	■	■	■		
	Electronic chromic rearview mirror	■	■	■	■		
Retractable assist grip x 3	■	■	■	■			
Comfort and Convenience	Ventilation	Fully automatic air conditioner with chrome accent and air filter Manually controlled air conditioner with air filter	■	■	■	■	
	Central door locking system	■	■	■	■		
	Keyless entry system	■	■	■	■		
	Keyless operation system	☐ 17	■	■	■		
	Power windows (auto-up and down with anti-trapping function for driver's side) Power tilt and sliding sunroof	■	■	■	■		
Audio and Media	6 speakers (4 speakers and 2 tweeters)	■	■	■	■		
	4 speakers	■	■	■	■		
	AM/FM radio, CD player with center display (digital clock and audio information)	■	■	■	■		
	Rockford Fosgate® 710 W premium sound system with AM/FM radio, CD player, center display with touch panel (digital clock and audio information), 9 speakers (4 speakers, 4 tweeters and 1 subwoofer)	☐ 18	■	■	■		
	AM/FM radio, CD player with center display with touch panel (digital clock and audio information)	■	■	■	■		
	Rearview camera (set option with center display with touch panel)	■	■	■	■		
Package Options	USB port	☐ 19	■	■	■		
	Bluetooth® hands-free cellular phone interface system with voice recognition and USB port / Link system	■	■	■	■		
	Roof antenna	■	■	■	■		
	Luxury Interior Package: Geometric pattern fabric / Rear 60:40 split seatback with trunk-through / Floor console box with cloth covered lid Safe Driving Package: AFS (Adaptive Front-lighting System) with HID (High Intensity Discharge) headlamps / Front fog lamps	■	■	■	■		

■: Standard ☐: Optional —: Not available

*1: Available for C14ASTMHL models only. *2: Available for RHD models only.

Note: Equipment may vary by market. Please consult your local Mitsubishi Motors dealer/distributor for details.



STANDARD AND OPTIONAL EQUIPMENT



Privacy glass

08



Chrome belt-line moldings

09



Color-keyed side protector moldings

10



Magnesium paddle shifters

01



215/45R18 tires with 18-inch light alloy wheels

02



205/60R16 tires with 16-inch machined bright light alloy wheels

03



Front and rear mudguards

11



Rear spoiler

12



Leather-wrapped gearshift knob

13



Driver's and front passenger's front (dual-stage), driver's knee, front seat side and curtain SRS airbags
(Equipment may vary from the image shown)

04



Front grill with upper chrome/lower chrome

05



Cruise control

14



Large color liquid crystal multi-information display

15



Aluminum pedals

16



Adaptive Front-lighting System with HID headlamps
With adaptive front lighting, the headlamps adjust as you steer into corners, providing additional lighting to give you a better view and make you more visible to other drivers.

AFS (Adaptive Front-lighting System) with HID (High Intensity Discharge) headlamps

06



LED daytime running lamp/Front fog lamp

07



Keyless operation system

17



Rockford Fosgate® 710 W premium sound system with AM/FM radio, CD player, center display with touch panel

18



USB port

19

Note: Some of the equipment may vary in appearance or availability according to market. Please consult your local Mitsubishi dealer/distributor for more detailed information.

EXTERIOR COLORS



Warm Silver Metallic [A17]



Lightning Blue Mica [D06]



Red Metallic [P26]



Titanium Gray Metallic [U17]



Sterling Silver Metallic [U25]



White Solid [W37]



Black Mica [X42]

INTERIOR PANELS



GLS/GT: Black mesh print panel

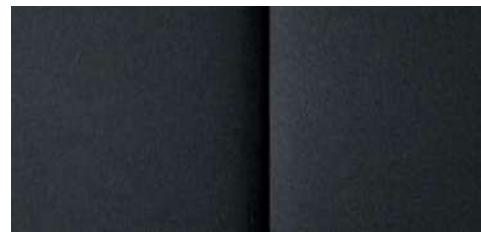


GLX: Black panel

SEAT MATERIALS



GLS/GT: Geometric pattern fabric (Black)



GLX: Knit (Black)

EXTERIOR AND INTERIOR COLOR COMBINATIONS

Model	GLX	GLS	GT
Interior trim	Black	Black	Black
Interior panel	Black	Mesh print (Black)	Mesh print (Black)
Seat material and color	Knit (Black)	Geometric pattern fabric (Black)	Geometric pattern fabric (Black)
Warm Silver Metallic [A17]	■	■	■
Lightning Blue Mica [D06]	■	■	■
Red Metallic [P26]	■	■	■
Titanium Gray Metallic [U17]	■	■	■
Sterling Silver Metallic [U25]	■	■	■
White Solid [W37]	■	■	■
Black Mica [X42]	■	■	■

■: Available —: Not available

Note: Colors shown may differ slightly from actual colors due to printing process. Please consult your local Mitsubishi dealer/distributor for actual colors.

SPECIFICATIONS

MODEL	Drive system		2WD							
	Engine		2.0 MIVEC				1.6 MIVEC			
	Price class		GLS		GT Package		GLX		GLS Package	
	Model code	LHD / EURO 2 / EURO 4 RHD / EURO 2 / EURO 4	CY4ASNHL / CY4ASNHR	CY4ASTMHL / CY4ASTMHR	CY4ASNHL / CY4ASNHR	CY4ASTMHL / CY4ASTMHR	CY1ASNSHL / CY1ASNSHR	CY1ASRSHL / CY1ASRSHR	CY1ASNSHL / CY1ASNSHR	CY1ASRSHL / CY1ASRSHR
DIMENSIONS AND WEIGHTS	Overall length	mm	4,625							
	Overall width	mm	1,760							
	Overall height	mm	1,480 (1,505 with high-ground suspension)		1,490		1,480 (1,505 with high-ground suspension)			
	Wheelbase	mm	2,635							
	Ground clearance	mm	140 (165 with high-ground suspension)		150		140 (165 with high-ground suspension)			
	Curb weight	kg	1,280	1,310	1,280	1,310	1,200	1,225	1,200	1,225
	Gross vehicle weight	kg	1,850				1,750			
	Seating capacity	persons	5							
PERFORMANCE	Max. speed*	km/h	200	198	200	198	190	180	190	180
	Acceleration (0–100 km/h)*	sec.	9.6	10.5	9.8	10.7	10.8	13.6	10.8	13.6
	Min. turning radius	m	5.0							
ENGINE	Type (code)		2.0-liter 16-valve inline-4 DOHC MIVEC (4B11)				1.6-liter 16-valve inline-4 DOHC MIVEC (4A92)			
	Displacement	cc	1,998				1,590			
	Max. output (EEC net) kW (PS)/rpm		110 (150) / 6,000				86 (117) / 6,000			
	Max. torque (EEC net) N·m (kg·m)/rpm		197 (20.1) / 4,200				154 (15.7) / 4,000			
FUEL SYSTEM	Fuel supply equipment		ECI-MULTI (Electronic Controlled Injection - Multi Point Injection)							
	Fuel tank capacity	liters	59							
TRANSMISSION	Type		5-speed manual	INVECS-III CVT with 6-step Sports Mode	5-speed manual	INVECS-III CVT with 6-step Sports Mode	5-speed manual	INVECS-II 4-speed automatic	5-speed manual	INVECS-II 4-speed automatic
	STEERING	Type	Rack-and-pinion, power assisted							
SUSPENSIONS	Front		MacPherson strut, coil springs with stabilizer bar							
	Rear		Multi-link, coil springs		Multi-link, coil springs with stabilizer bar		Multi-link, coil springs			
BRAKES	Front		Ventilated discs							
	Rear		Drums		Discs		Drums			
TIRES	Front and rear		205/60R16		215/45R18		205/60R16			

*Measured by Mitsubishi Motors

Note: These specifications are subject to change without notice. Please consult your local Mitsubishi dealer/distributor for more detailed specifications.

DIMENSIONAL VIEWS

